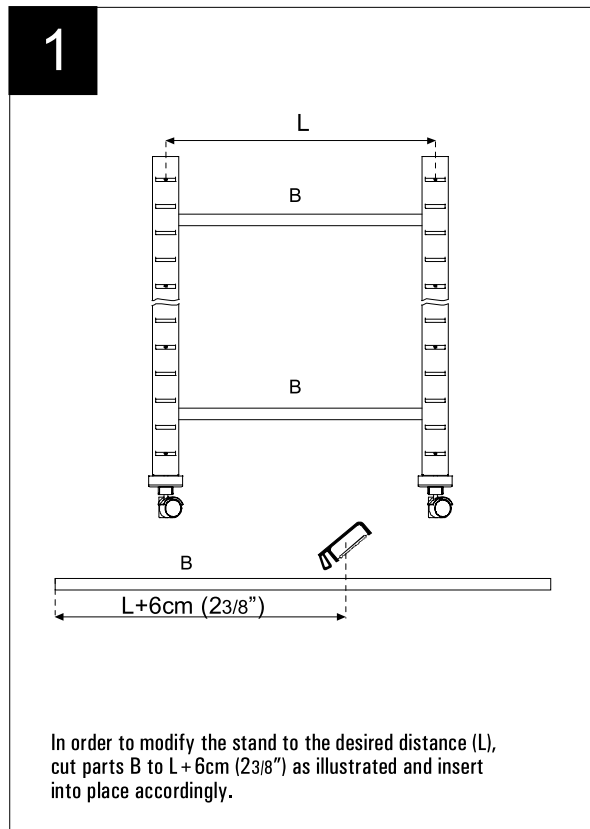
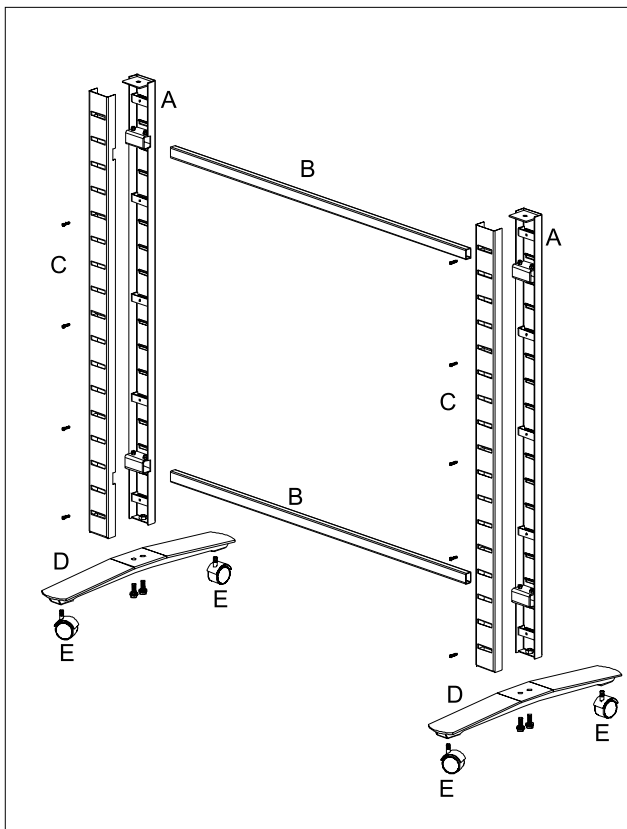
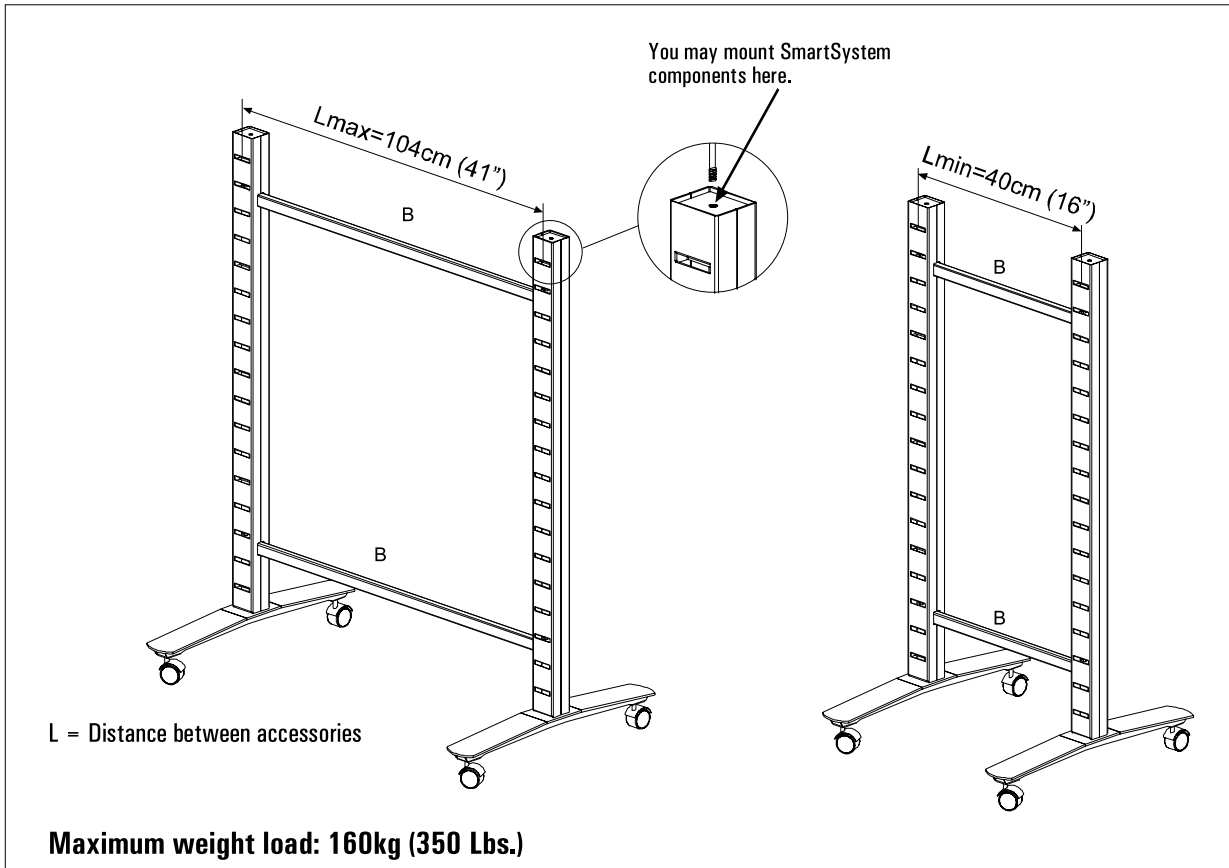


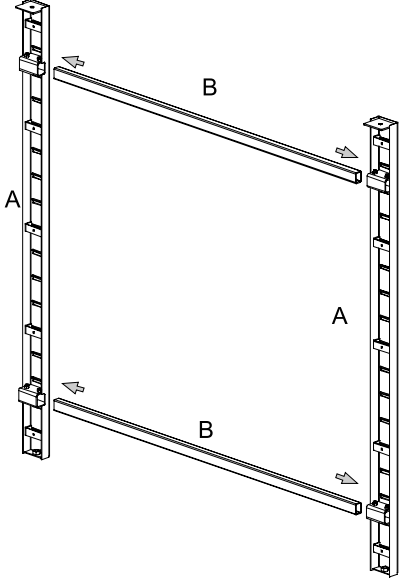
Corrado - Metal Modular SlatStand



General Note: It is the responsibility of the purchaser and/or installer to verify that the mounting surface is solid and capable of supporting the intended weight of display. It is recommended that a professional is consulted to determine the appropriate fastener/anchor needed for the mounting surface. The manufacturer is solely responsible for the quality of its products and not accountable for faulty installation and ill use of its products beyond recommended limitations.

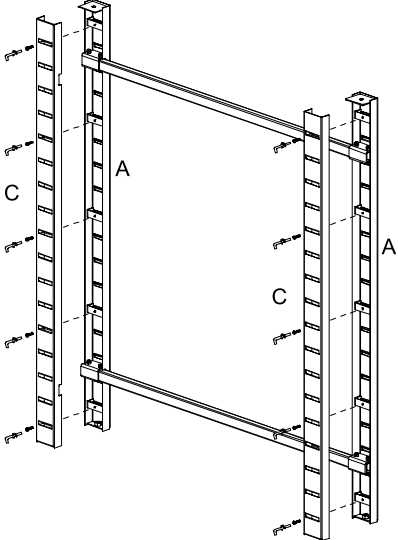
Corrado - Metal Modular SlatStand

2



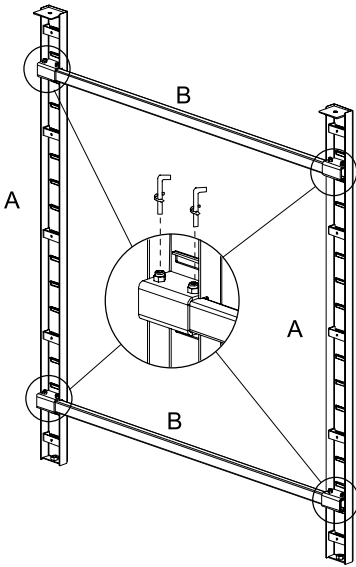
Assemble parts B to parts A.

4



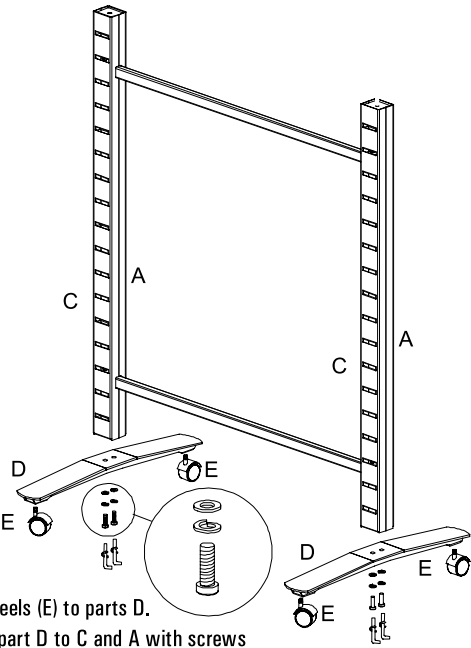
Assemble parts C to parts A by tightening screws as illustrated.

3



Mount parts B to A. Fasten parts B by tightening screws as illustrated.

5



a. Fasten wheels (E) to parts D.
b. Assemble part D to C and A with screws as illustrated.

Corrado - Metal Modular SlatStand

Weight Load Capacity

The weight refers to the maximum weight that the stand can support without affecting the stability.

Notes:

Total maximum weight load for each side of stand is according to the table below.

Distance from SlatStand (L)-cm(Inch)

30(12")		40(14")		45(16")	
Kg	Lbs.	Kg	Lbs.	Kg	Lbs.
100	220	90	198	80	176

The maximum weight load includes the weight of the stand and all accessories.

Total maximum weight load per stand is 160kg (350lbs) including stand and all accessories. Individual accessory weight loads also need to be taken into account.

