

Assembly Instructions

For: All standing racks except #7776 and #7790

Tools required: Phillips head screwdriver

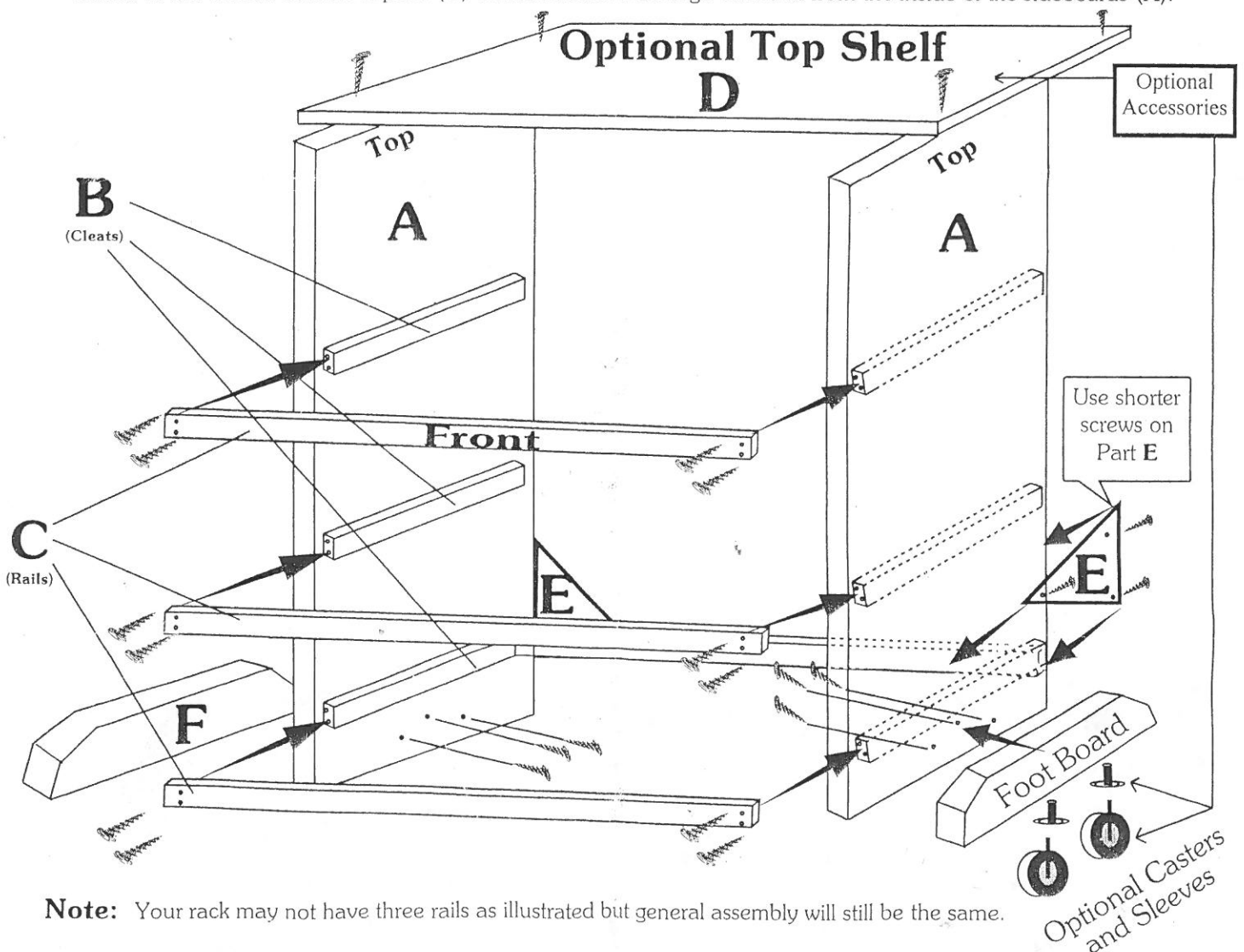


Please read all instructions prior to assembly

1. Sideboards & Rails: Locate both of the pre-assembled sides-(A). The three small holes near one end go to the bottom. Next, lay both sides over on their edge with the cleats-(B) facing each other to the inside and the bottom ends of parts-(A) toward you. Locate two of the pre-drilled rails-(C) attach these using the longer screws provided to the end of the cleats-(B) at the bottom and top locations of one side. Be careful not to over tighten the screws. Locate the two small triangular pieces of plywood-(E). These are attached using the short screws and are for "squaring up" the rack and additional strength. The triangles are placed so that the screws go into the edge of the sideboard-(A) and along the face of the bottom rail-(C). Attach the remaining rails on both sides.

2. Top Shelf: If you ordered the optional top shelf-(D) then place it over the top of the two sides. Center the top shelf over the sides with an equal overhang on each side. Secure the shelf with four long screws by inserting them through the top shelf and into the top edge of the two sides at about 1" from the front and back of the shelf.

3. Foot Boards & Casters: Locate the two angled foot boards-(F) (Approx. 16"x3.5"). If you ordered the optional casters then insert caster sleeves into the pre-drilled holes on the bottom of the foot boards. The sleeves should be snug and a hammer may be required to ensure a flush fit. Insert casters into sleeves. Next, attach the foot boards to the bottom outside of parts-(A) but insert screws through the holes from the inside of the sideboards-(A).



Note: Your rack may not have three rails as illustrated but general assembly will still be the same.