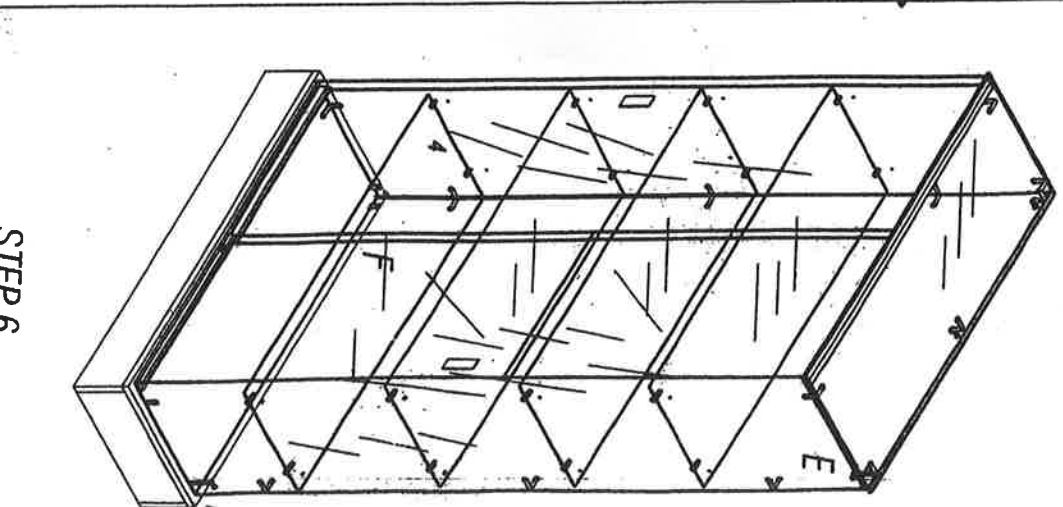
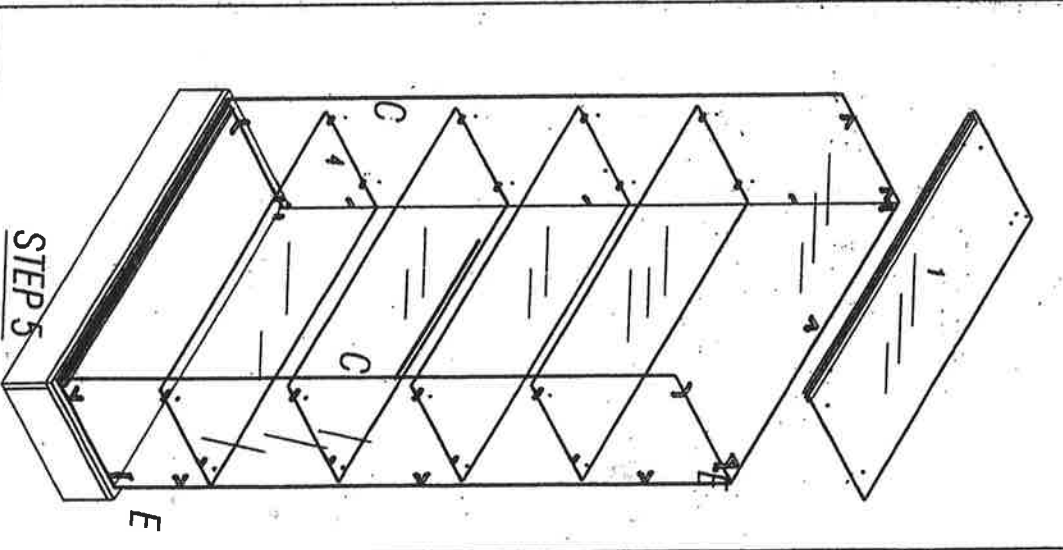
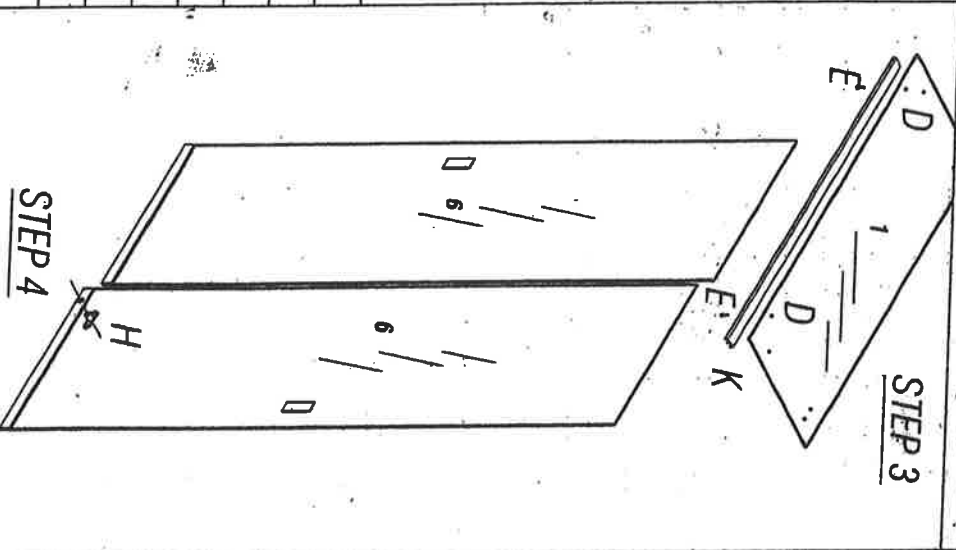
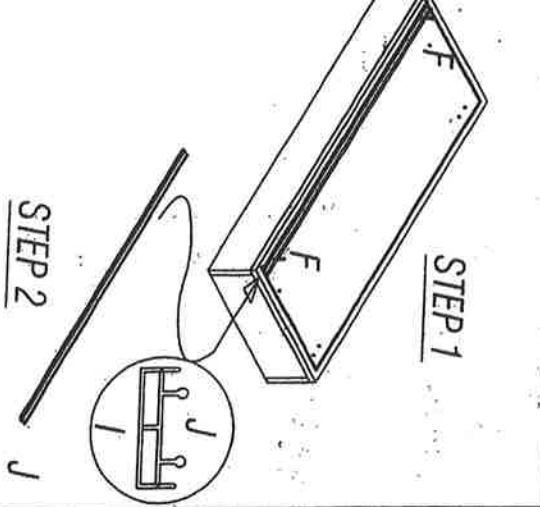


ASSEMBLY INSTRUCTION FRAMELESS TOWER CASE

NOTE: IT IS RECOMMENDED THAT TWO PERSONS ASSEMBLE UNIT



PARTS LIST

NO.	QTY	DESCRIPTION
1	1PC	TOP
2	2PCS	SIDE BOARD
3	2PCS	DOOR
4	4PCS	SHELF
5	1PC	BACK BOARD
6	1PC	WOOD BOTTOM PANEL

A	B	C	D	E	F	G	H	I	J	K	L
12 SETS	11 PCS	16 PCS	4 PCS	52 PCS	2 PCS	2 PCS	1 PC			1 PC	